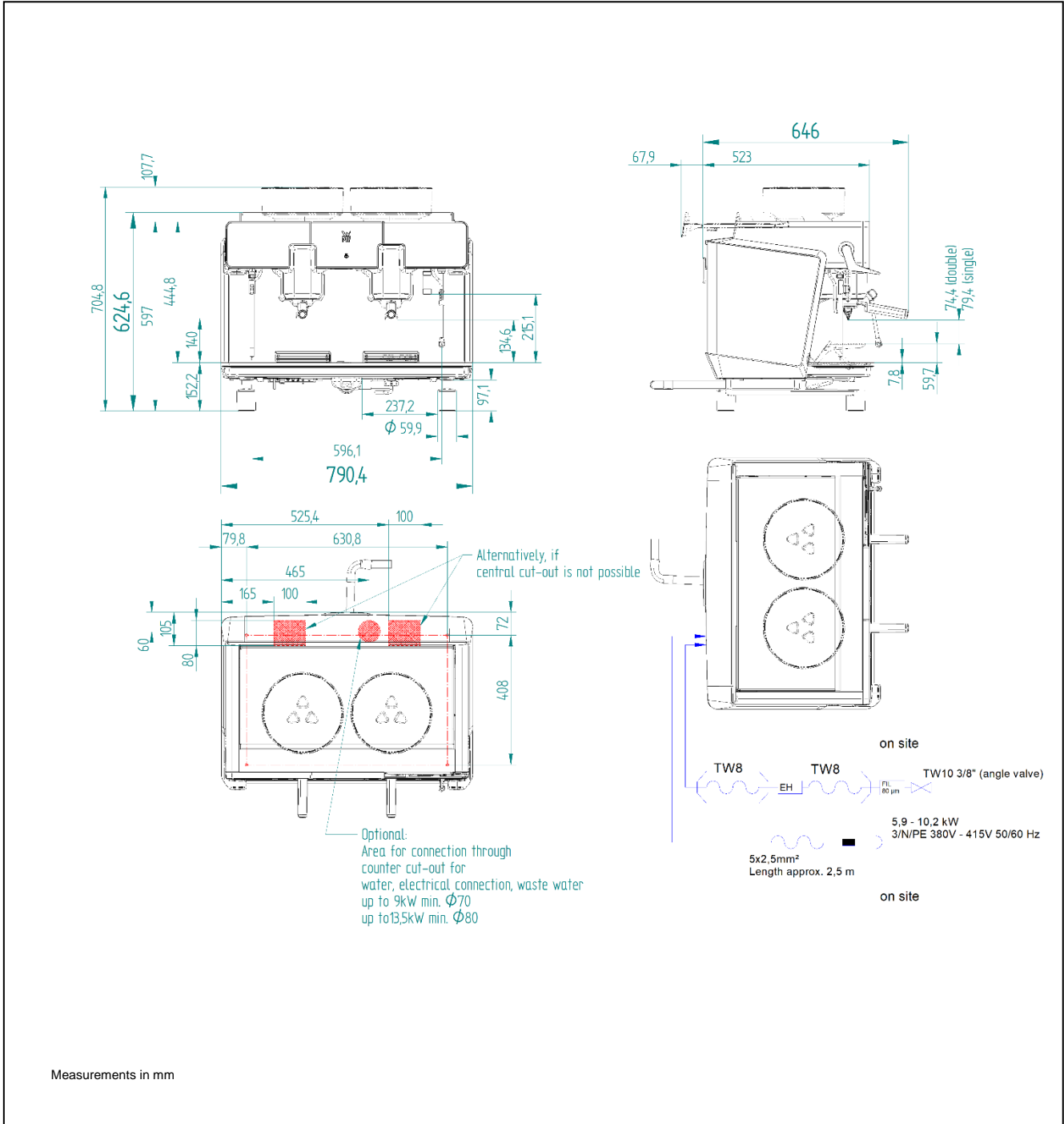


# Planning Information WMF espresso NEXT with external bean hoppers



Measurements in mm



**Water supply and water drainage:**

The water supply must be close to the machine (max. 800 mm from the machine). A sufficiently dimensioned shut-off valve (preferably ball valve) and a dirt trap, mesh size 0.80 mm, must be installed in the water supply line in the under-counter cabinet so that it is easily accessible.

For the connection from below through the counter, a cut-out must be made on site in one of the hatched areas according to the drawing (see top view).

We generally recommend the use of a water filter. Your WMF service partner will be pleased to advise you on the selection of the correct water filter.

If the water filter recommended by WMF Service is not installed upstream, the coffee machine may be damaged (e.g., due to scaling).

In case of a drain connection, a funnel siphon must be installed in the ventilated drain pipe. It is important to ensure that the funnel siphon is installed in a vertical position. This means that it must always be perpendicular to the water backflow level. It must be installed in such a way that the specified slope of the drain hoses (2%) is maintained.

In addition, the height of the funnel siphon must always be below the coffee machine drains and above the actual drain pipe connections (HT40, HT50 or similar).

Into one funnel siphon, a maximum of two WMF coffee machines with DN19 hoses should be fed. Other appliances (dishwashers, sinks, etc.) should be installed elsewhere.

The funnel siphon incl. the DN19 hoses must not be subjected to any major tensile, pressure or torsional loads. This can cause damage to the mechanical components. As a result, the useability may be lost.

Any necessary on-site preparatory work for the drainage connections is to be arranged by the machine owner/operator. The work must be carried out by authorised installation technicians in compliance with general, country-specific and local regulations.

The following drawings serve to illustrate the drains and do not include any other connections, such as electricity or supply water!

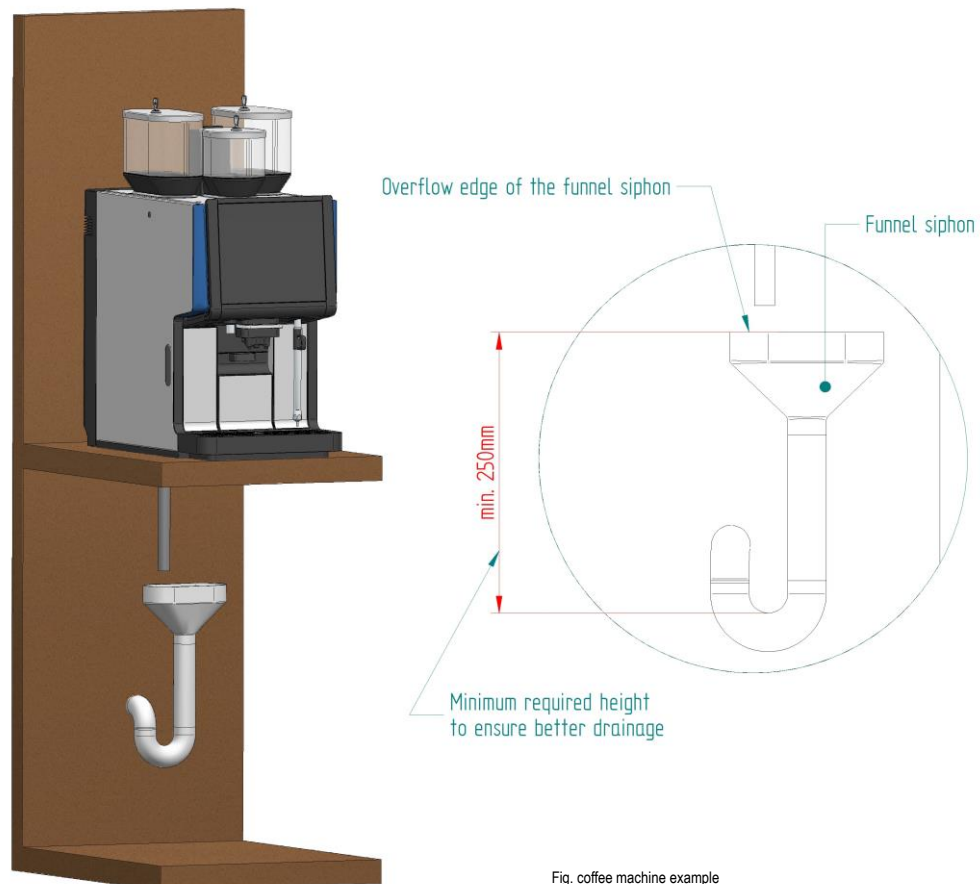


Fig. coffee machine example

<b>Other:</b>	Ambient temperature:	+ 5°C to +35°C (empty the water system in case of frost)
	Max. humidity:	80% rel. humidity without condensation, no spray water. Do not use device outdoors
	Sensible heat output:	0.18 kWh/h in standby mode 7.00 kWh/h in maximum operation
	Cont. sound pressure level:	< 70 dB (A)

Please find further information such as user manual, safety data sheet and certificates under:  
<https://coffeeconnect2.wmf.com>

All indications refer to coffee machines/equipment as standard version.  
 Individual solutions may differ from the standard version!